

# being

Accesories

Dynamic Monitor Arms

Brochure and  
Specification

## Practicality

The ability to rotate between landscape and portrait orientations further enhances usability, whether for detailed design work, coding, document editing, or reading long-form content.

Monitor arms contribute to a cleaner, more organised environment by freeing up desk space and improving cable management—both of which play a role in reducing visual clutter and supporting focus.

## Supporting Wellbeing

Monitor arms support wellbeing by allowing users to tailor their workspace to their body rather than the other way around.

With smooth, precise adjustments to height, tilt, and distance, they help maintain natural posture and reduce strain on the neck, shoulders, and



## Adjustability

Height adjustability makes it easy to align the screen at eye level, accommodating users of different heights and those who move between sitting and standing throughout the day.

Tilt functionality allows the screen to be angled to minimise glare and reflections, improving visual comfort in changing lighting conditions. Swivel movement enables effortless side-to-side rotation, supporting collaboration by making it simple to share content with others.

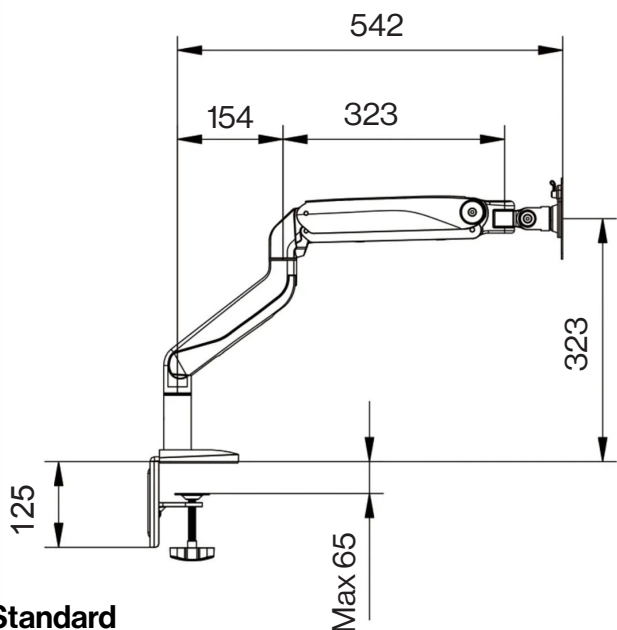
## Adaptability

Designed with adaptability in mind, adjustable monitor arms can evolve alongside changing work habits and technologies, offering a future-ready solution without the need for major hardware changes.

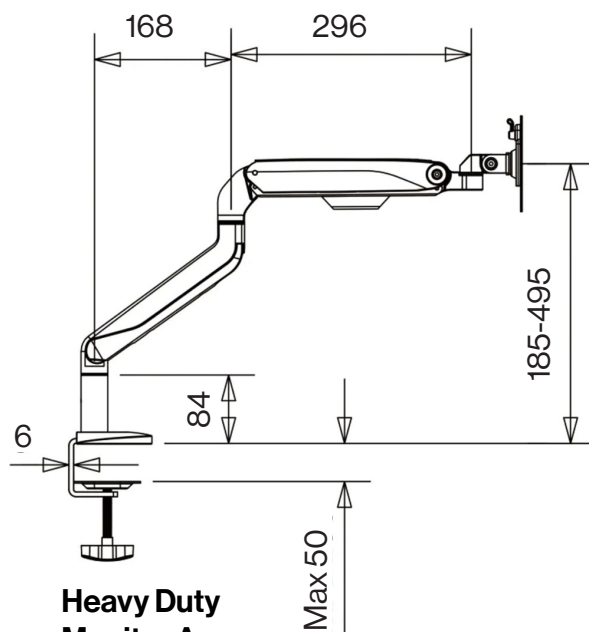
Monitor arms contribute to the effectiveness of workspaces that prioritise comfort, flexibility, and long-term wellbeing.

# DATA SHEET

## Dynamic Monitor Arms



**Standard Monitor Arm**



**Heavy Duty Monitor Arm**

**Specification      Dynamic Standard Monitor Arm**

Material	Cast Aluminium
Screen Rotation	360°
Load Capacity	2-8kg
Tilt Range	±90°
Swivel Range	±90°
Monitor Mount	VESA Quick Release
Base Mount	Clamp and Grommet
Colour	Black or White
Warranty	10 Years

**Specification      Dynamic Heavy Duty Monitor Arm**

Material	Cast Aluminium
Screen Rotation	360°
Load Capacity	3-15kg
Tilt Range	±90°
Swivel Range	±90°
Monitor Mount	VESA Quick Release
Base Mount	Clamp and Grommet
Colour	Black or White
Warranty	10 Years

**Key Features Of All Dynamic Monitor Arms**

- Quick release VESA plate to allow for easy removal of monitor.
- Cast aluminium construction for strength and longevity.
- Quick release worktop bracket.
- Fully adjustable friction joints.

being

[beingstudio.au](http://beingstudio.au)