



lighting - z-bar



KONCEPT

## lighting - z-bar

### Features

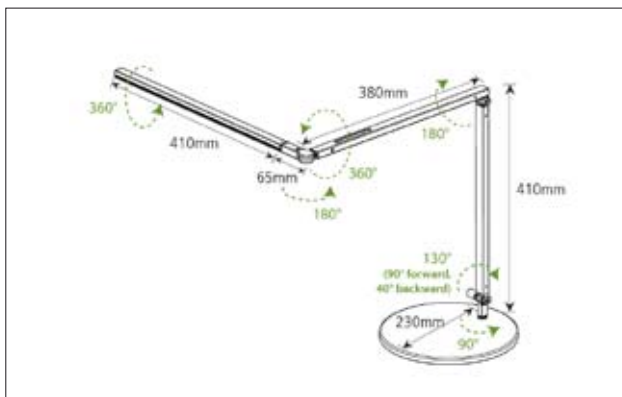
The Z-Bar task lamp, from Konzept in the US, features the award-winning three-bar design for ultimate reach and flexibility.

The touchstrip is located near the LED head for easy access. Slide your finger along the strip to dim gradually, or touch the strip anywhere to jump directly to any brightness, including off.

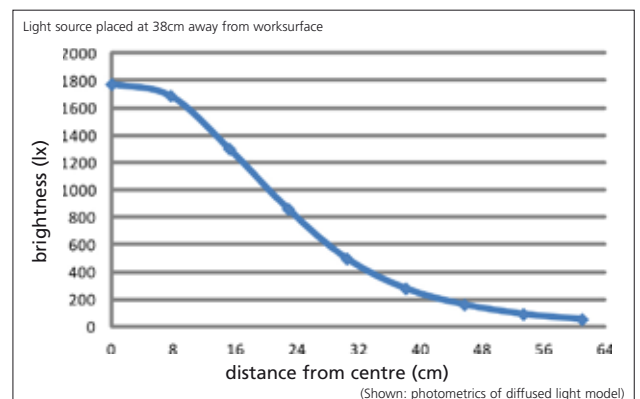
Compatible with optional occupancy sensor.



z-bar lamp - silver



dimensions



photometrics

### Specifications

Transformer (100–240 V; 50/60 Hz): Included – C-UL-US Certified

Energy Consumption: 10.5 watts

Number of LEDs: 42

LED Rated Lifespan: 50,000 hours

Color Temperature (Typical) – Cool: 4,500 K

Color Temperature (Typical) – Warm: 3,500 K

Color Rendering Index (CRI): 85

Dimmer: Built-in touchstrip

Brightness Adjustability: Continuous

Color Finish: Black, Silver

Material: Aluminum/Plastic

Cord Color: Black

Cord Length: 22mm

### Sustainability

Energy & Atmosphere:

LED lighting to reduce energy consumption.

Innovation In Design:

Z-Bar® features the original three-bar design for maximum reach and flexibility. The LED head can spin in its socket, sweep side to side, and rotate around the end of the arm to point in any direction. The lamp also features a built-in touchstrip for flicker-free touch sensitive dimming.

Materials & Resources:

Lamps contain parts made out of 10% pre-consumer recycled content.

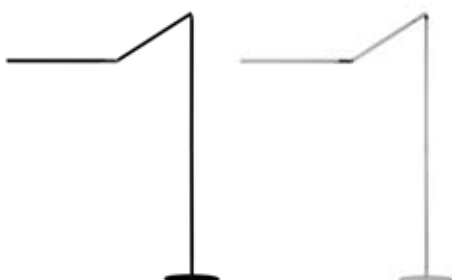
Lamps contain 38% pre-consumer recycled material by weight.\* Aluminium housing is fully recyclable.

All colour finishes use water-based paint.

All cardboard used in packaging is FSC certified.

LEDs do not contain mercury.

\*in standard configuration (includes transformer and weighted base)



z-bar floor lamp - black, silver

